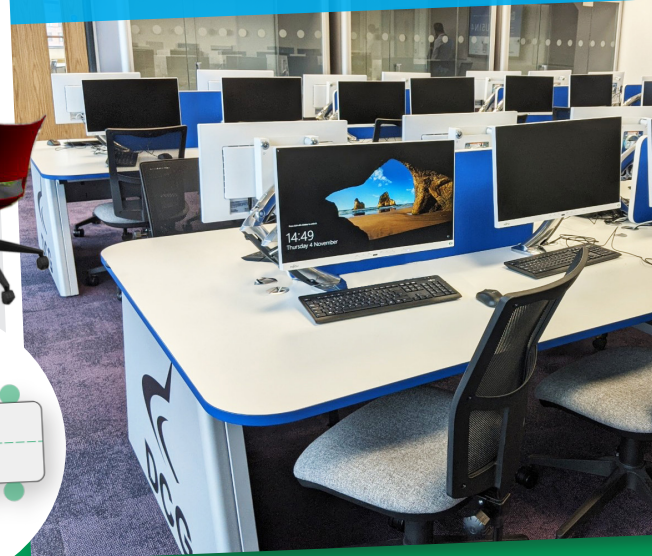
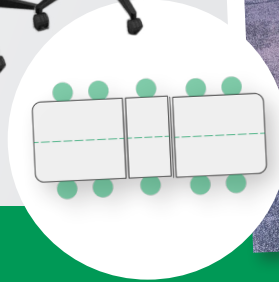


Scalable ICT workspaces



PRODUCT DETAILS TUCANA

The TUCANA range is a series of highly configurable bench style desks specifically designed for group ICT workspaces.

The range can be adapted and scaled to fit a variety of room requirements and is ideal for maximising the use out of any learning space such as narrow work areas or corridors where space is limited.

Each desk unit includes integrated cable ports and a centralised cable tray running underneath the entirety of the work surface, helping improve cable management.

Features

- Available as single & two-sided sections
- Centralised cable channel
- Can be fitted with a variety of desktop power modules (combination of 13A & USB charging sockets)



Configured for you
Desks can be configured and arranged to fit a variety of room shapes and requirements



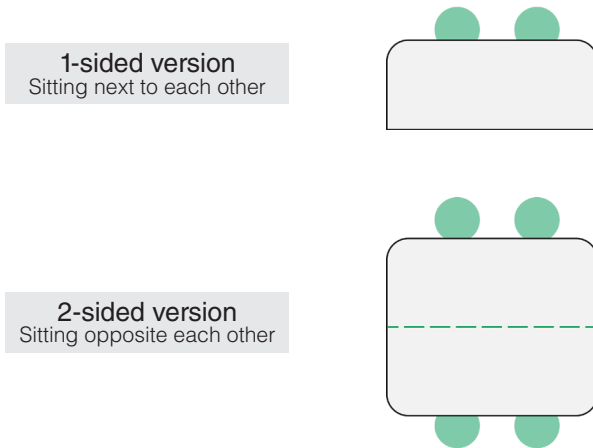
Complete cable management
Integrated central cable cavity running underneath entirety of the desk improves cable management



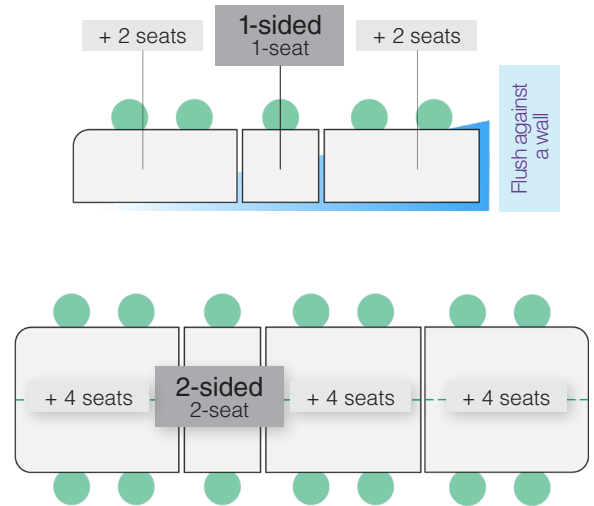
Tamper proof solution
All cables are concealed & locked away within the table, eliminating any tampering from students

Configurable to your requirements

1 Start with a single section:



2 Add more standard sections to create any shape/size bench desk you require:



Included

- Standard paint, worktop & edge banding finishes
- Worktops are supplied with a thickness of 25mm
- Centralised cable tray running underneath the entirety of the work surface
- Integrated cable grommets (can be supplied without)

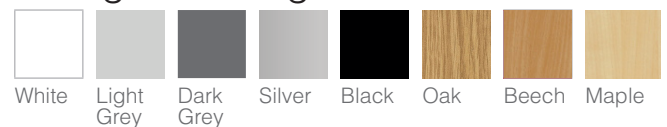
Additional cost

- Made-to-measure secure PC cage (Choice of left or right hand fitting)
- Desktop power modules
- Height adjustable modules available
- Secure monitor arm options
- Slab end (at either end of desk)
- Vinyl or printed branding (on slab end)
- Modesty panel (for single rows of desks)
- Desk partitions
- Non-standard paint, worktop & edge banding finishes

Standard Paint Finishes



Standard Worktop & Edge Banding Finishes



Make it your own!

We offer a range of non-standard colours and finishes. Many custom colours can be supplied at standard pricing but may incur an additional cost.

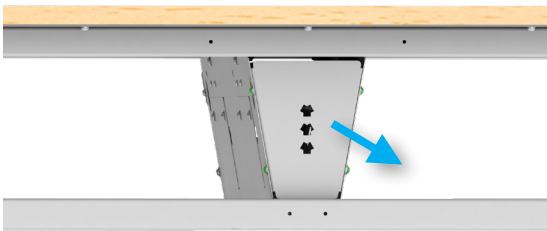
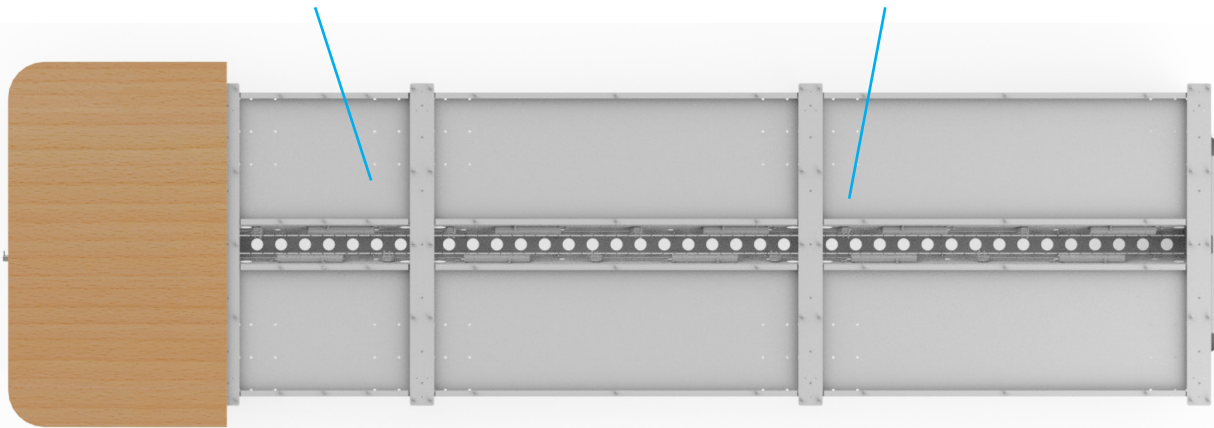
Complete cable management & easy access

Cable tray running the entire length of the worktop, concealing and locking away all cabling

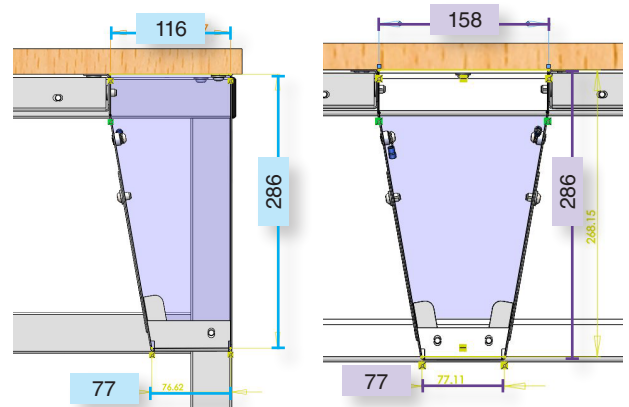
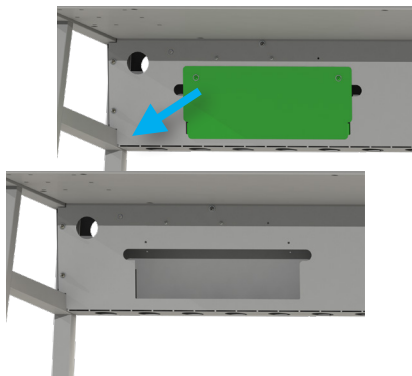


Worktop power modules
HDMI / 13A power / USB charge

Customise your worktop
Cable apertures required in the desktop
can be placed anywhere along the spine

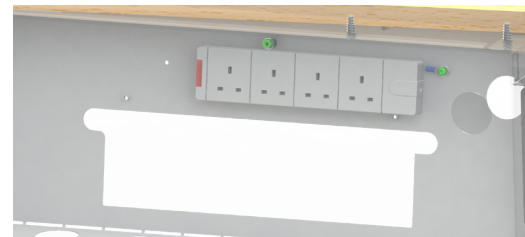


Cables can be accessed via removable panels at the end and underneath the unit for easy maintenance



Single-sided

Two-sided

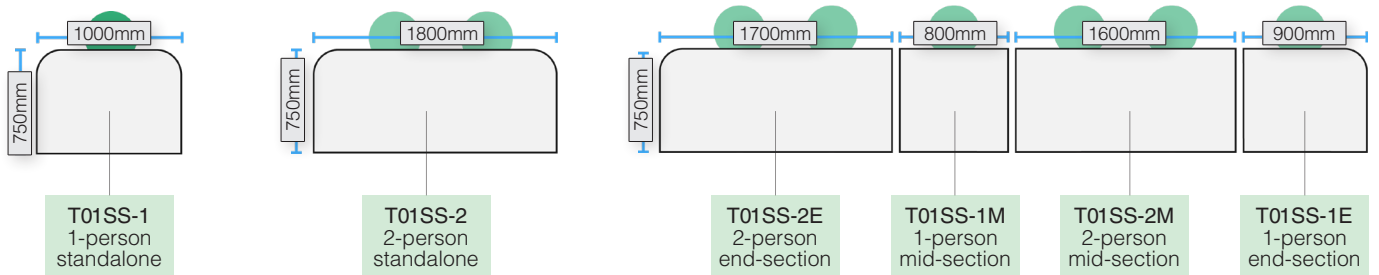


Onboard/internal power options
Power gangs can be fitted into the cable channels for easy access to power

Schematics

Single-sided version

Variant	Corners	Width (mm)	Depth (mm)	Height (mm)	Code
1-person mid-section	Square / Square	800	750	730	T01SS-1M
1-person end-section	Square / Rounded	900	750	730	T01SS-1E
1-person standalone section	Rounded / Rounded	1000	750	730	T01SS-1
2-person mid-section	Square / Square	1600	750	730	T01SS-2M
2-person end-section	Square / Rounded	1700	750	730	T01SS-2E
2-person standalone section	Rounded / Rounded	1800	750	730	T01SS-2



Two-sided version

Variant	Corners	Width (mm)	Depth (mm)	Height (mm)	Code
2-person mid-section	Square / Square	800	1500	730	T01TS-2M
2-person end-section	Square / Rounded	900	1500	730	T01TS-2E
2-person standalone section	Rounded / Rounded	1000	1500	730	T01TS-2
4-person mid-section	Square / Square	1600	1500	730	T01TS-4M
4-person end-section	Square / Rounded	1700	1500	730	T01TS-4E
4-person standalone section	Rounded / Rounded	1800	1500	730	T01TS-4

