

PRODUCT DETAILS

JUPITER SHUTTLE

Our JUPITER SHUTTLE screen mounts feature a slide out plate facilitating seamless AV/IT integration. This 'all-in-one' solution features complete cable management, leaving no trailing cables with everything housed neatly behind the screen.

These innovative screen mounts transform older screens into simple and cost-effective digital signage solutions that are able to perform a plethora of tasks outside of the range of normal screens.

Each unit features two mounting arms that are fixed to the back of the screen and slotted into the main mounting bracket, which fastens to the wall.

Features

- Removable plate for AV/IT equipment.
- Plate can be accessed/removed from both sides.
- Choice of 0° / 5° / 10° downwards tilt.
- Adjustable arms accommodate the majority of mounting hole positions.



Facilitates seamless AV/IT integration

Removable plate for AV/IT integration (PCs / wireless connectivity devices / network receivers / digital media players).



Quick & easy access

Removable plate accessible from both sides. Screen is left undisturbed whilst installing AV equipment.



Accommodates a large range of screens

Range of models for up to 800x600 VESA / 70kg screens.

Tamper proof solution

- Robust steel construction + secure locking bar

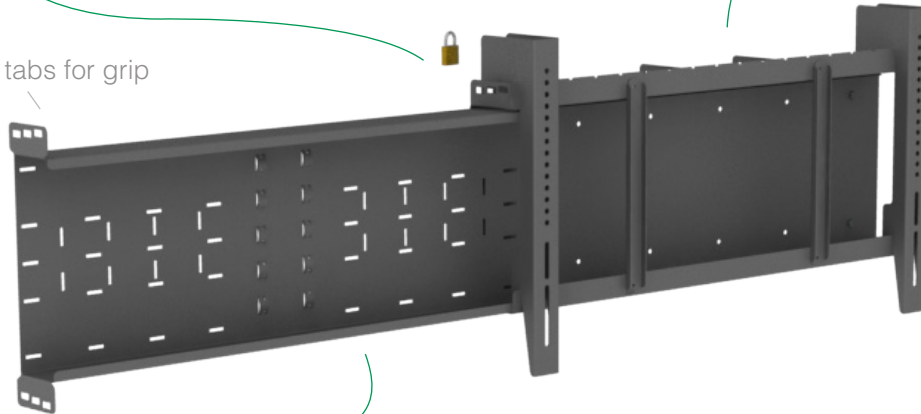
Choice of:

- 1) Padlock (included)
- 2) Push button lock (additional cost)

Complete cable management

- Open ends for cable access
- Cable ties and bridge forms for excess cable length
- Cables are concealed behind screen

Small tabs for grip



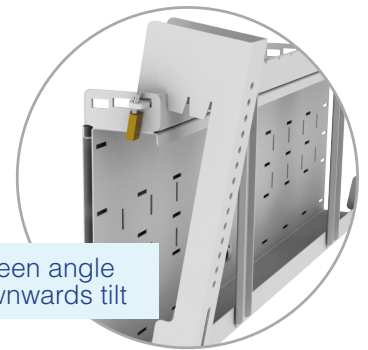
Adjustable VESA mounting arms

Quick & easy equipment access

- Removable plate accessible from both sides

- 75x75 / 100x100 VESA size spacing
- Smooth sliding mechanism
- Screen left undisturbed whilst installing AV equipment

Adjustable screen angle
0° / 5° / 10° downwards tilt



Models

Code	VESA (up to)	MAX screen weight	Wall mounting centres
JUPITER-SHUTTLE-01 / PBL	600x400	47kg	450mm(W) x 210mm(H)
JUPITER-SHUTTLE-02 / PBL	800x400	70kg	750mm(W) x 210mm(H)
JUPITER-SHUTTLE-03 / PBL	800x600	55kg	750mm(W) x 410mm(H)

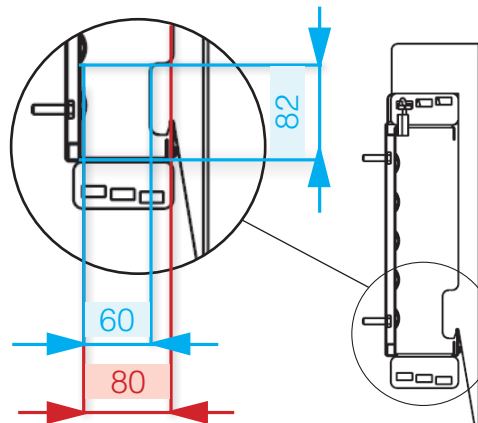
Included

- Choice of standard paint finishes
- Can be ceiling mounted on request
- Removable plate for AV/IT equipment
- Secure locking bar + padlock
- Adjustable screen angle

Standard Paint Finishes



White Light Grey Dark Grey Silver Black



Compartment sizes:

01 - 680 x 291 x 60/80

02 - 880 x 291 x 60/80

03 - 880 x 491 x 60/80