



## PRODUCT DETAILS

# DELTA DESK

DELTA DESKS are ideal for group work, call centres or environments which are hard to populate containing inconvenient structures.

Strong enough to support both plug-and-go devices and desktop computers, these desks can be fitted with a wide selection of power modules and feature integrated cable trays for effective cable management.

The DELTA DESK is a superb way to implement compact ICT workspaces into open plan environments.

### Features

- Available in single and double units
- Can be fitted with made-to-measure PC cage
- Contemporary cantilever design



### Perfect for open plan spaces

'Cluster' style is ideal for open plan spaces such as classrooms, hot-desk areas or training facilities.



### Effective cable management

Integrated cable trays provide neat and tidy cable management.



### Choose your shape and style

Available in a range of cluster style configurations, worktop and edge banding finishes



### Built to last

All our desks are manufactured from steel at our factory in Birmingham with a strong and robust design.

## Models

- DELTA DESK - 1 Person DDT-1003073
- DELTA DESK - 2 Person DDT-2006073

## Included

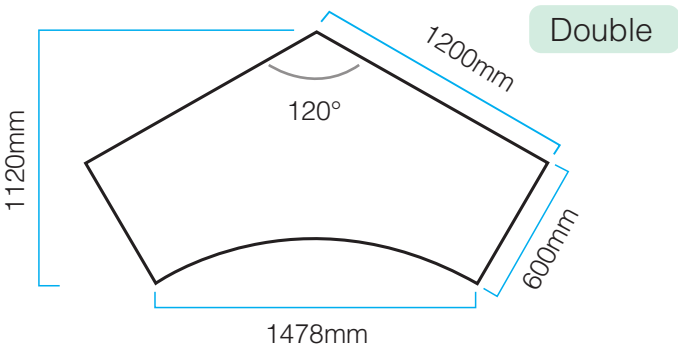
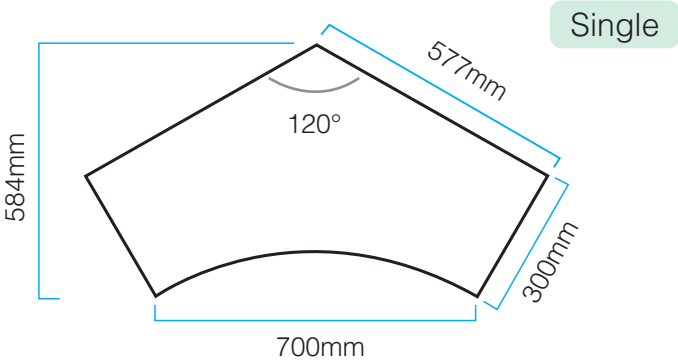
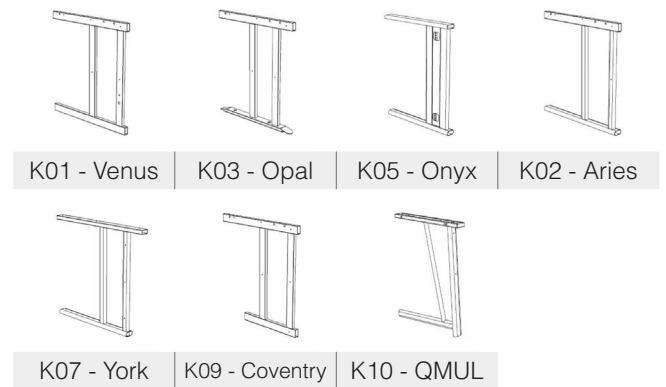
- Choice of standard paint, worktop & edge banding finishes
- Worktops are supplied with a depth of 25-40mm
- Cable ports
- Integrated cable tray



## Additional cost

- Made-to-measure computer cage (Choice of left or right hand fitting)
- Desktop power & data modules
- Non-standard pain, worktop & edge banding finishes

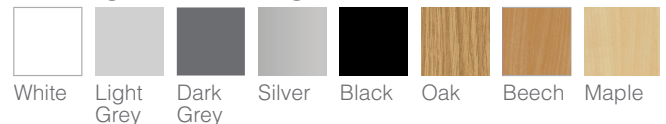
## Leg Styles



## Standard Paint Finishes



## Standard Worktop & Edge Banding Finishes



**Make it your own!**  
We offer a range of non-standard colours and finishes. Many custom colours can be supplied at standard pricing but may incur an additional cost.