

## PRODUCT DETAILS

# CABLE RACEWAY

CABLE RACEWAY is a cable management system that incorporates multiple channels for separation of power and data.

Built to withstand the demanding requirements of modern offices and locations with heavy traffic; its top loaded design brings an end to awkward cable runs. We recommend that the CABLE RACEWAY should be fixed to the floor for a better quality installation.

CABLE RACEWAY uses interlocking modular components to help keep cables tidy, protected and free from damage.

## Features

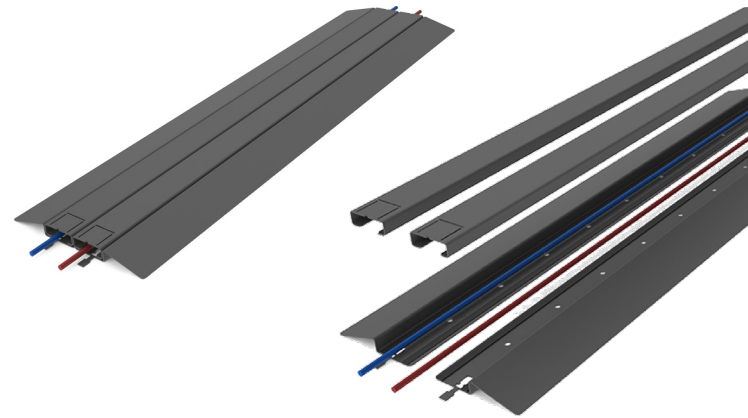
- Low profile ramped edging for heavy traffic areas
- Corner and Stop-End elements readily available
- Top loading design eliminates awkward cable installations

## Benefits

- Easily secures with overlapping connections
- Add cable channels as and when you need them
- Mitigates health and safety issues
- Flexible modular design offering a one-stop solution

## Models

1000, 500, 250 Raceway	CBLRCWY1000/050/025
1000, 500, 250 Extender	CBLRCWY1000/050/025EX
90° Corner	CBLRCWYCOR
End Cap	CBLRCWYEND

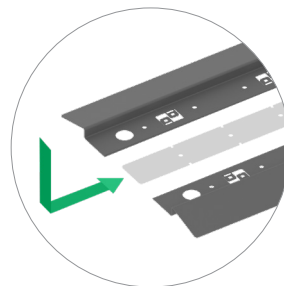


## Included

- Black paint finish
- Floor fixings for added security

## Additional cost

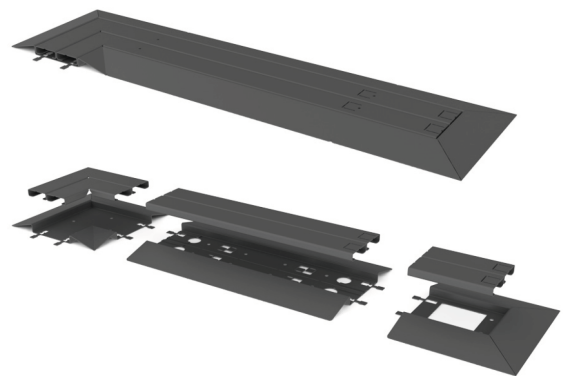
- Non-standard paint finishes



CABLE RACEWAY has been designed to be modular, enabling you to easily add additional cable channels through the use of width extensions.

## Dimensions

1000 Section		
H: 21mm	W: 267mm	D: 1000mm
500 Section		
H: 21mm	W: 267mm	D: 500mm
250 Section		
H: 21mm	W: 267mm	D: 250mm
1000 Width Extension		
H: 21mm	W: 59mm	D: 1000mm
500 Width Extension		
H: 21mm	W: 59mm	D: 500mm
250 Width Extension		
H: 21mm	W: 59mm	D: 250mm
90° Corner Section		
H: 21mm	W: 295mm	D: 295mm
End Cap		
H: 21mm	W: 267mm	D: 167mm



## Standard Paint Finishes



Black



### Make it your own!

We offer a range of non-standard colours and finishes. Many custom colours can be supplied at standard pricing but may incur an additional cost.